



BEFORE YOU BEGIN

Read and follow all safety instructions

Contractor is responsible for adequately reinforcing ceilings to support luminaire weight. Alcon Lighting accepts no responsibility for inadequately reinforced ceilings. The information contained in this drawing is the sole property of Alcon Lighting. Any reproduction in part or whole is prohibited and warranty is voided.



WARNING

RISK OF FIRE, EXPLOSION AND ELECTRIC SHOCK

- This product should be installed, inspected, and maintained by a qualified electrician only, in accordance with the NEC (National Electric Code) and all local codes.
- Turn off electrical power before inspection, installation or removal.
- Use only UL (or other NRTL) approved wire for input/output connections.
- Make sure LEDs and drivers are cool to touch when performing maintenance. Make sure the supply voltage is the same as the rated voltage of the luminaire.
- Do not install in a hazardous atmosphere, except where the ambient temperature does not exceed the rated operating temperature of the fixture.
- Keep tightly closed when in operation



Prepare Electrical Wiring



Electrical Requirements

Must check if the local voltage range is correspond with the working voltage of the fixture. Use min. 75°C supply.



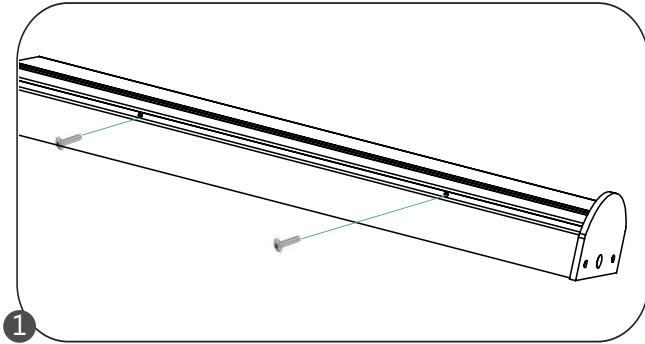
Grounding Instructions

The grounding and bonding of the overall system shall be done in accordance with NEC Article 600 and local codes.



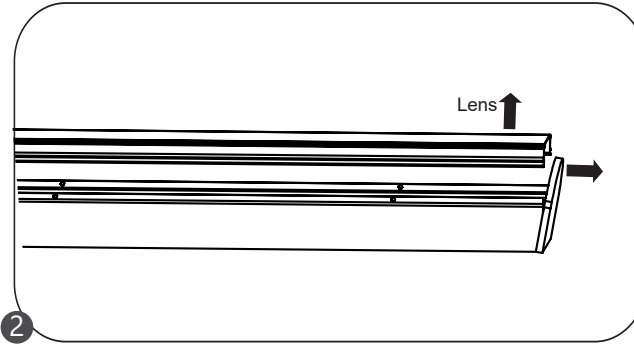
Follow all applicable safety procedures and use Personal Protective Equipment such as hardhats, safety glasses, reflective vest, electrical safety gloves, fall protection equipment and safety toe boots during the installation, operation, and maintenance of the luminaire.

12518 - INSTALLATION INSTRUCTIONS



1

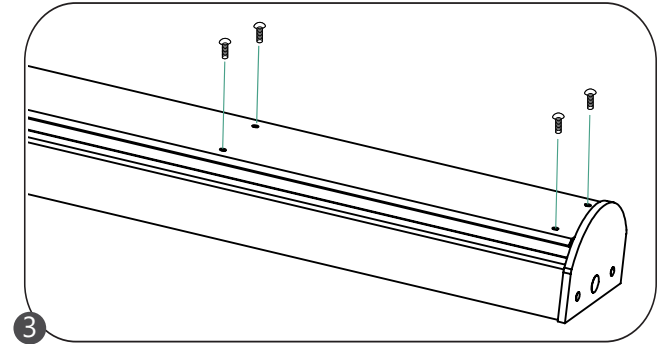
Remove (4) tamper-proof screws from the side of the housing.



2

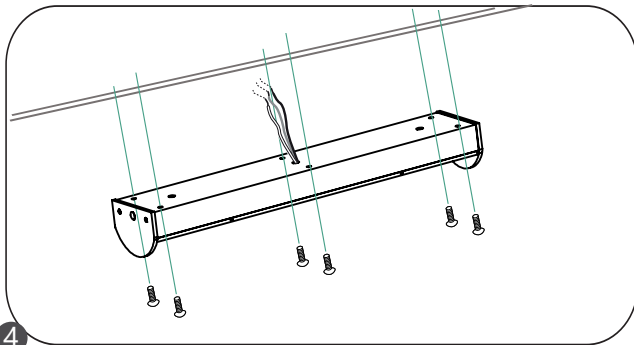
Push out and hold the top part of end cap and remove lens upward.

* End cap is not removable, **do not** try to take it out.



3

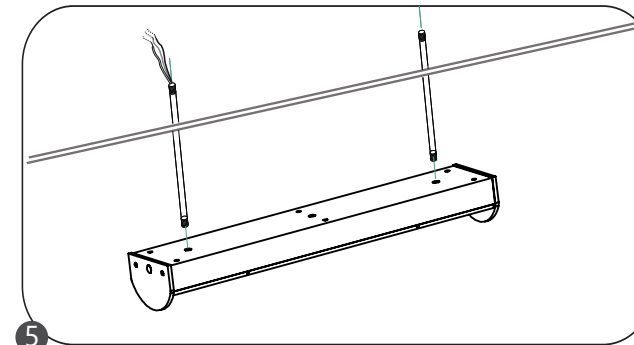
Remove module plate using a standard philips screw driver.



4

SURFACE MOUNT

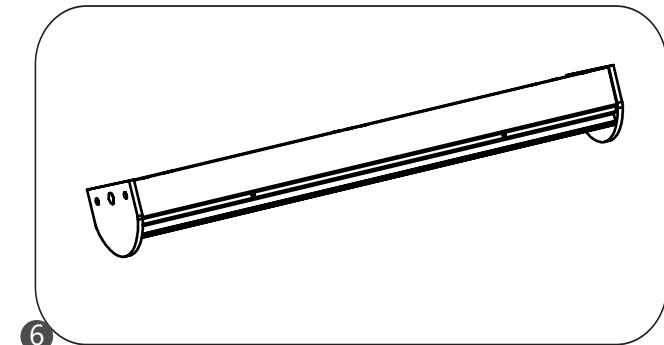
Make wire connection and fix the fixture on the surface through (6) Ø0.312" mounting holes.



5

PENDANT MOUNT

Exit out the power supply and ground wire through one of the stems and make wire connection. Hang the fixture with stems through (2) Ø0.875" holes by twisting stem rods tightly.



6

Reinstall module plate and lens to complete installation.

* Make sure the gaskets inside the end caps are placed correctly. Apply any additional gasket/sealants for damp location application.

* Any damage caused from improper installation will void warranty and not be accepted for RGA (Return Goods Authorization).